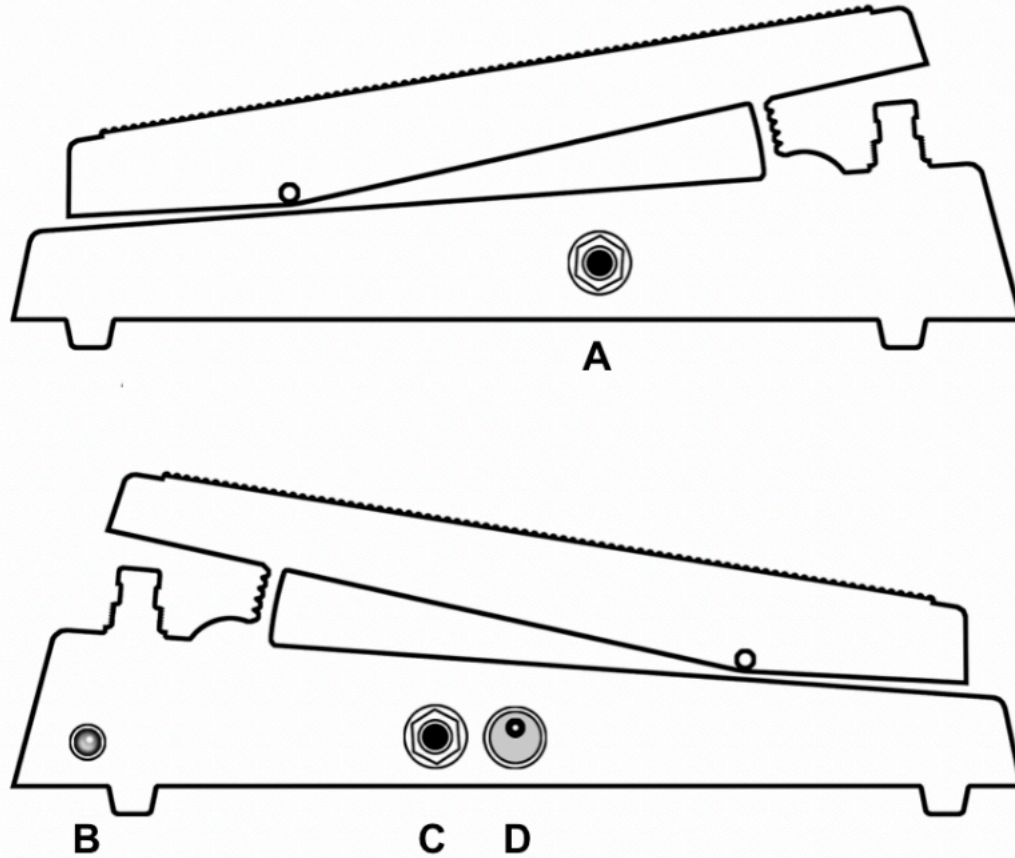




Wilson Wah V2

Thank you for purchasing a Wilson Effect's Wilson Wah V2. The Wilson Wah is designed to replicate an assortment of vintage wahs, modern wahs and it also allows you to design your own wah sound. This wah features vintage tropical fish capacitors, BC109B transistors, a custom potentiometer cloned from a vintage Clarostat tape and carbon composition resistors. It also includes a fuzz friendly buffer to ensure that it will work well with various fuzz pedals and overdrives. We've also included a boost circuit that allows you to increase your volume to cut through the mix.



Layout and overview of the Wilson Wah V2

- A) Input or instrument jack
- B) On/off LED indicator
- C) Output or amplifier jack.
- D) Power Jack: 2.1mm center negative 9VDC power only.

Inside the pedal you will find a series of trimmers that can be turned with a small flathead screwdriver. Below is a description of what these are labeled and how they affect the tone of the wah.

Growl: This affects the bass and gain of the wah circuit. Turning it one direction will add more grit and a lower more aggressive sound. Turning it the opposite way will thin out the tone. When adjusting it is normal to hear a scratching or swooshing sound as you are biasing a transistor to ground.

Mids: This affects the mid-range of the pedal.

Sweep: This affects the range of the sweep. Turning it one way will add more depth to the physical sweep and turning it the opposite will narrow the sweep range.

Boost: This will add volume output to the wah. Carefully as turning it up too far may result in an undesirable sound that will break up your amp as well as amplify the gain of the wah.

Your Wilson Wah V2 is powered via a 2.1mm center negative power supply only. Try to keep your pedal as far away from your power supply as possible to minimize interference. Use high quality electronics grade cleaners and lubricants for the occasional cleaning of wah pedal components. If you have any other questions or concerns please visit the FAQ page at www.wilsoneffects.com or email me at wilsoneffects@wilsoneffects.com. Your new pedal is covered by a one-year warranty on parts and labor. This warranty excludes friction-based components such as potentiometers and switches.